

Electricity - Homework 2

1. (a) Iron is a good conductor of electricity.

What does this tell you about iron?

_____ (1)

(b) Name two other materials that are good.; conductors of Electricity. _____ (1)

(c) A material like glass is not a good conductor of electricity. What do we call a material like glass?

_____ (1)

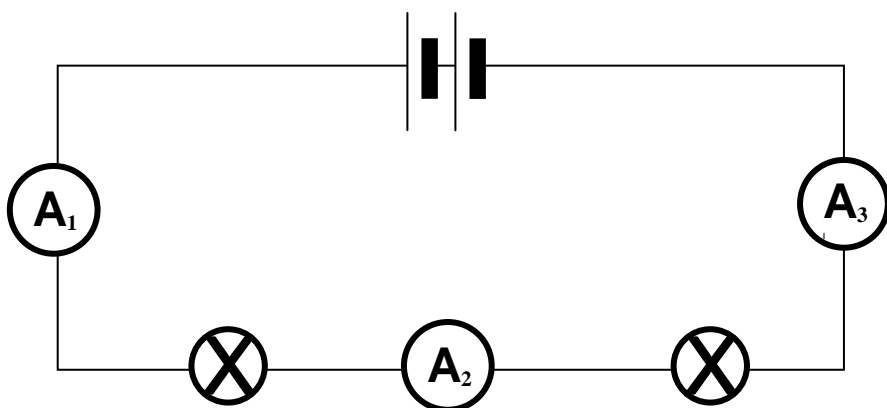
(d) Name two other materials that are not good conductors of electricity. _____ (1)

2. (a) What instrument is used to measure electrical current?

_____ (1)

(b) What unit is electrical current measured in? _____ (1)

(c) In each of the following circuits work out the missing currents.

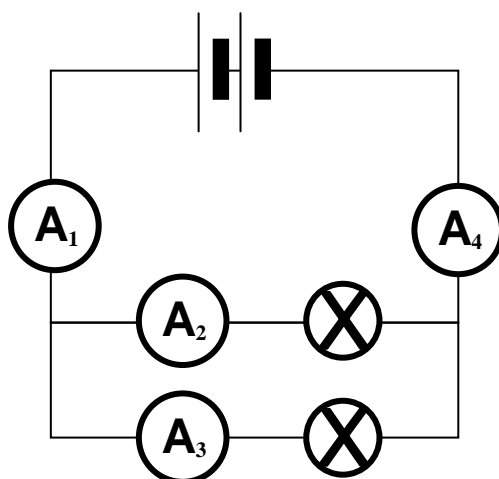


$$A_1 =$$

$$A_2 = 0.6A$$

$$A_3 =$$

(2)



$$A_1 =$$

$$A_2 = 1.1A$$

$$A_3 = 1.6A$$

$$A_4 =$$

(2)