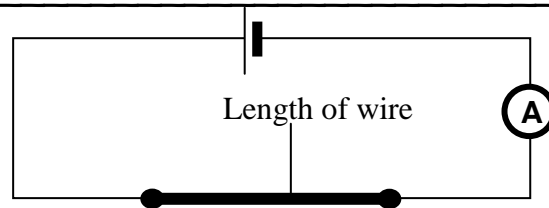


Electricity - Homework 3

1. In the following circuit what would happen to the size of the current if we made the wire:

(a) Longer? _____ (1)

(b) Thicker? _____ (1)

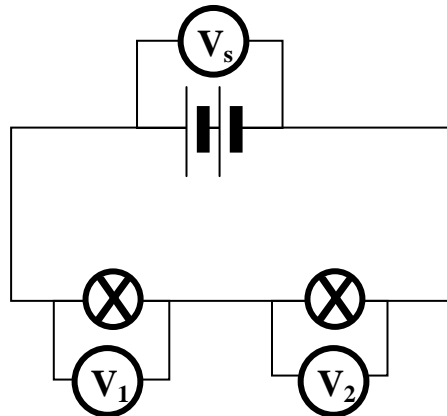


2. (a) What instrument is used to measure electrical voltage?

_____ (1)

(b) What unit is electrical voltage measured in? _____ (1)

(c) In each of the circuits below work out the missing voltages.

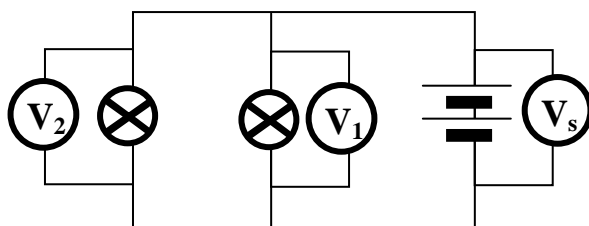


$$V_s = 8V$$

$$V_1 = 4V$$

$$V_2 =$$

(1)



$$V_s = 10V$$

$$V_1 =$$

$$V_2 =$$

(2)

3. Draw the circuit symbol for a resistor

(1)

4. The following table shows some properties of four wires.

Wire	Length(cm)	Thickness(mm)
A	5	2
B	5	1
C	10	2
D	10	1

(b) Which wire has the smallest resistance? _____ (1)

(a) Which wire has the greatest resistance? _____ (1)